

LA-IS6N-G0208P-Box

IP55 Outdoor Box, with 2x1000 Base-X, 8x10/100/1000 Base-T PoE Switch



Overview

LA-IS6N-G0208P-Box Outdoor PoE Switch Box embedded with 2x1000Base-X, 8x10/100/1000Base-T Industrial PoE Switch, it is miniature size with IP55 high protection level. The box provides excellent industrial quality with high/low temperature resistance and lightning protection, which enhances the reliability and safety of networks.

It can meet the deployment requirements of rail transit, safe city, intelligent transportation, video surveillance and other applications.

Features

- Integrated Industrial PoE Switch, 2x1000Base-X, 8x10/100/1000Base-T
- Shell: IP55 Waterproof Case
- Cooling: Auto Fans Cooling
- Working Temp: -40°C~+75°C
- Box Internal Power: 300w (for PoE Switch)
- Optical Fiber Tray
- Surge Protector
- Air Breaker

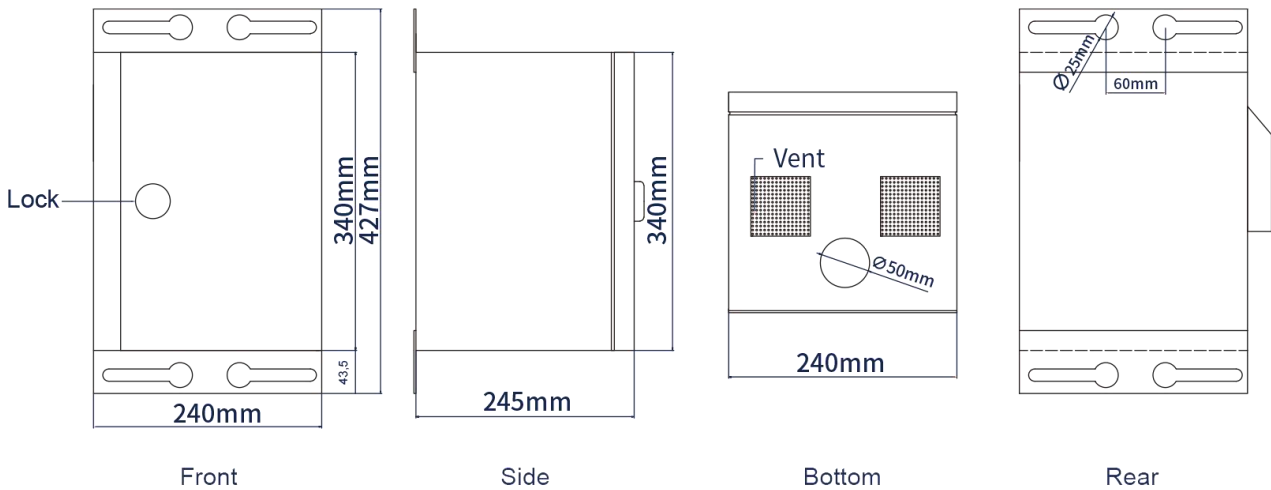
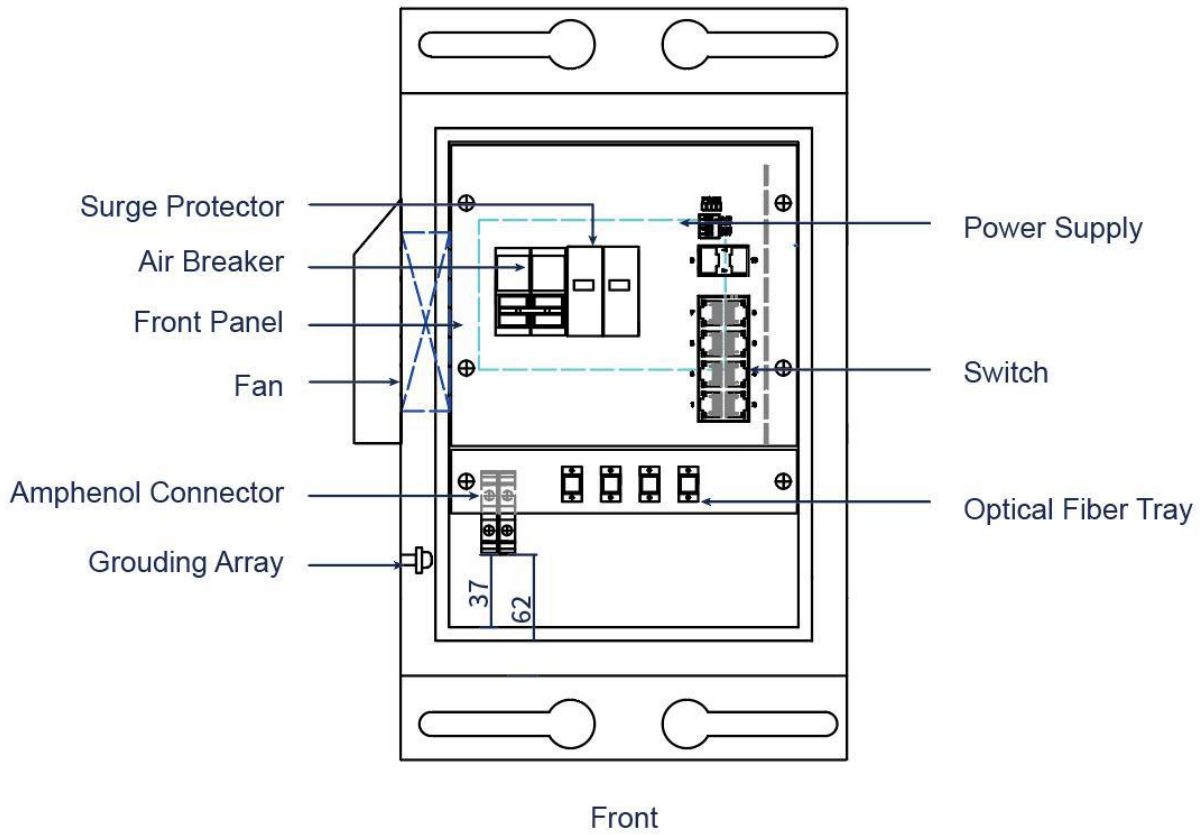
Specifications

Cabinet	
Material	High-quality galvanized sheet, thickness 1.2mm Box mounting ears thickness 1.5mm
Weight	Net weight: 8.8KG, Gross weight: 9.6KG
Lock	Triangle lock
Door	The door has built-in waterproof rubber strips and built-in reinforcing ribs
Bottom Part	The diameter of the cable entry hole at the bottom of the box is 50mm, and there is air inlet hole at bottom of the box (Insert-proof net welded inside)
Fan	AC 220V with temperature control, 3000 ± 10% RFM, air volume 90CFM, 92*92*25mm, line length 300mm
Optical Fiber	4-port SC fiber flange, with 8-core fiber box
Air Breaker	It has short-circuit protection, overload protection and isolation functions and has thermal-magnetic tripping characteristics C-shaped curve(5In-10In)
Installation	Pole / Wall installation
Switch	
Fixed Port	2x1000 Base-X, 8x10/100/1000 Base-T
LED Indicators	PWR, OPT, NMC, ALM
Power Interface	AC Input
DIP Switch	
1	PoE Watchdog

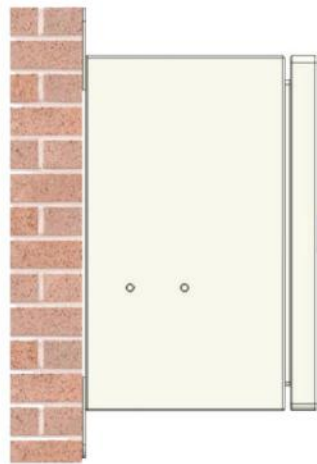
2	Extension 250m
3	Port Isolation
4	VIP Power Supply + QOS
Cable Type & Transmission Distance	
Twisted-pair	0-100m(CAT5e,CAT6)
Single-mode optical fiber	20/40/60/80/100KM
Multimode optical fiber	550m
Network Topology	
Star Topology	Support
Bus Topology	Support
Tree Topology	Support
Hybrid Topology	Support
Electrical Specifications	
Input Voltage	AC100~240V, 50/60Hz
Total Power Consumption	< 246w (with PoE)
Voltage Alarm	Support
PoE Support	
PoE Ports	1-8 Ports
Pin Assignment	1, 2, 3, 6
PoE Standard	802.3af, 802.3at (15w/30w)
Layer 2 Switching	
Switching Capacity	26G
Packet Forwarding Rate	19.34Mpps
MAC Address Table	16K
Buffer	2M
Forwarding Delay	<5us
MDX/MIDX	Support
Jumbo Frame	Support 10KBytes
Watchdog	Support
Port Isolation	Support
Environment	

Operating Temperature	-40°C~+75°C
Storage Temperature	-40°C~+85°C
Relative Humidity	5%~95% non-condensing
Thermal Methods	Auto Fans Cooling
MTBF	100,000 hours
Mechanical Dimensions	
Product Size (D x W x H)	245x240x340mm
Installation Method	Wall / Pole Mounting
EMC & Ingress Protection	
IP Level	IP55
Surge Protection of Power	IEC 61000-4-5 Level X (8KV/6KV)
Surge Protection of ETH Port	IEC 61000-4-5 Level X (8KV/6KV)
RS	IEC 61000-4-3 Level 3 (10V/m)
EFI	IEC 61000-4-4 Level 3 (1V/2V)
CS	IEC 61000-4-6 Level 3 (10V/m)
PFMF	IEC 61000-4-8 Level 4 (30A/m)
DIP	IEC 61000-4-11 Level 3 (10V)
ESD	IEC 61000-4-2 Level 4 (8K/15K)
Power Supply	
Power Supply	DC52V, 5.77A/300W
Certification	
Certificates	CE, FCC, RoHS

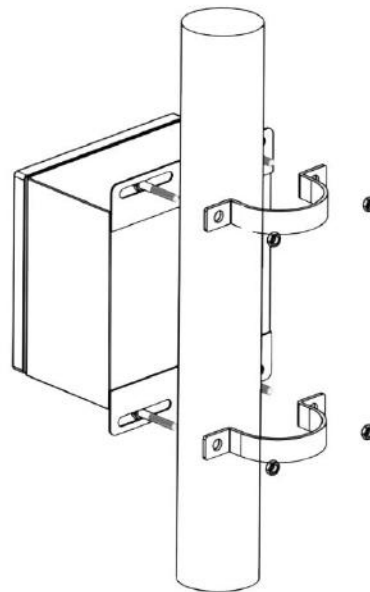
Structure



Installation



Wall Mount



Pole Mounting

Ordering Information

PART NO	DESCRIPTION
LA-IS6N-G0208P-Box	IP55 Outdoor Box, with 2x1000 Base-X, 8x10/100/1000 Base-T PoE Switch
LA-IS4N-G0104P-Box	IP55 Outdoor Box, with 1x1000 Base-X, 4x10/100/1000 Base-T PoE Switch



<https://www.lanaotek.com>



Specifications & design are subject to change without prior notice.

For more details, please email to info@lanaotek.com. Copyright©2024 lanaotek.com All Rights Reserved.