

# LA-IS6N-G0208

2\*1000Base-X, 8\*10/100/1000Base-T Industrial Ethernet Switch (PoE Optional)

## Highlight Information ▶▶▶▶

LA-XXX/LAM-XXX Series

For LA-XXX Series

For LA-XXX Series



## Introduction

This device is 2\*1000Base-X & 8\*10/100/1000Base-X Industrial Ethernet Switch. Through the fanless heat dissipation circuit design, wide range of working environment temperature, high protection level and other technologies, it provides excellent industrial quality with high/low temperature resistance and lightning protection, and enhances the reliability and safety of industrial networks.

It can better meet the deployment requirements of rail transit, safe city, intelligent transportation, outdoor monitoring and other harsh environments.

## Features

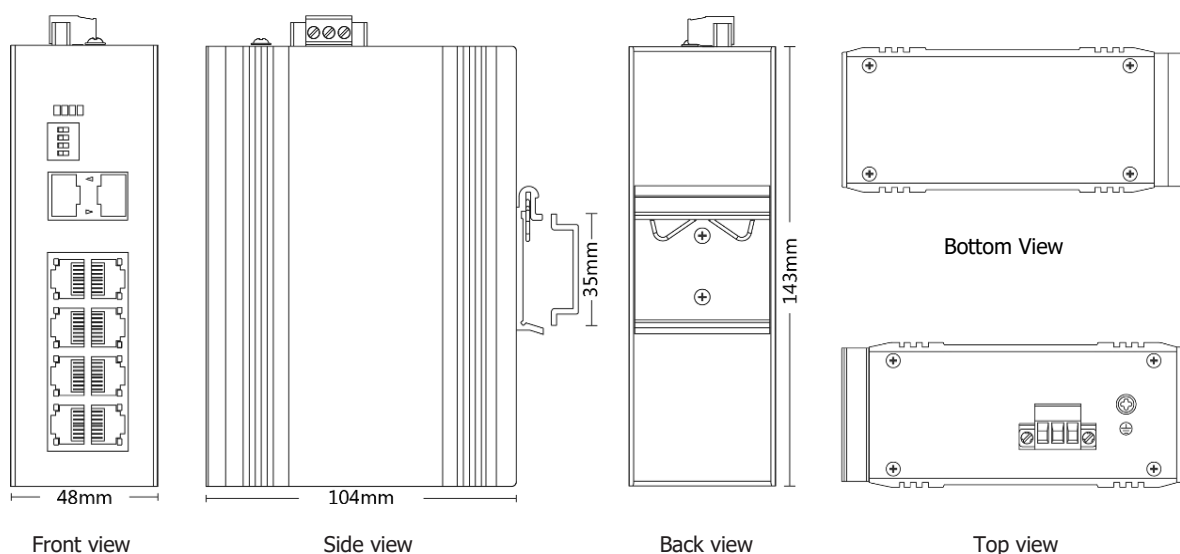
- **Input Voltage:** DC12~58V
- **Shell:** IP40 protection, fanless design
- **Anti-static:** 8KV-15KV
- **Operating Temperature:** -40°C ~ +75°C
- **Test Report:** CCC, RoHS, FCC, CE
- **MTBF:** 100000 Hours

## Specification

PART NO	LA-IS6N-G0208
Provider Mode Ports	
Fixed Port	2*1000 Base-X, 8*10/100/1000Base-T
Power Interface	Phoenix terminal, redundant dual power supply
LED Indicators	PWR, OPT ,NMC, ALM
DIP Switch	
1 C/D	Remote PD Reset
2 LGY	Stand/Non-standard PoE Mode
3 VLAN	Port Isolation
4 RST	Reset
Cable Type & Transmission Distance	
Twisted-pair	0-100m (CAT5e,CAT6)
Monomode Optical Fiber	20/40/60/80/100KM
Multimode Optical Fiber	550m
Network Topology	
Ring Topology	Unsupported
Star Topology	Support
Bus Topology	Support
Tree Topology	Support
Hybrid Topology	Support
Electrical Specifications	
Input Voltage	DC12-58V
Total Power Consumption	<6W
Voltage Alarm	Support
Layer 2 Switching	
Switching Capacity	26G
Packet Forwarding Rate	19.34Mpps
MAC Address Table	16K
VLAN	Unsupported
Buffer	2M
Forwarding Delay	<5us
MDX/MIDX	Support
Flow Control	Support
Jumbo Frame	10K bytes
Watch Dog	Support
Port Isolation	Support

Environment	
Operating Temperature	-40°C~+75°C The device is tested for 4 hours at temperatures in 85°C
Storage Temperature	-40°C~85°C
Relative Humidity	5%~95% (non-condensing)
Thermal Methods	Fanless, natural cooling
MTBF	100,000 hours
Mechanical Dimensions	
Product Size	143X104X48mm (W×H×D)
Installation Method	DIN-rail
Weight	0.5KG around
EMC & Ingress Protection	
IP Level	IP40
Surge Protection of Power	IEC 61000-4-5 Level 3 (4KV/2KV) (8/20us)
Surge Protection of Ethernet Port	IEC 61000-4-5 Level 3 (4KV/2KV) (10/700us)
RS	IEC 61000-4-3 Level 3 (10V/m)
EFI	IEC 61000-4-4 Level 3 (1V/2V)
CS	IEC 61000-4-6 Level 3 (10V/m)
PFMF	IEC 61000-4-8 Level 4 (30A/m)
DIP	IEC 61000-4-11 Level 3 (10V)
ESD	IEC 61000-4-2 Level 4 (8K/15K)
Free Fall	0.5m
Authentication	
Authentication	CCC/CE/FCC/RoHS

## ■ Dimensions



## ■ Ordering Information

PART NO	DESCRIPTION
LA-IS6N-G0208	2*1000Mbps SFP Port, 8*10/100/1000Mbps RJ45 Port

## ■ Accessories

PART NO	DESCRIPTION
LA-IS6N-G0208	device, terminals, specification, certificate adapter(optional)