

# LA-IS4N-G0108(P)

Industrial Ethernet Switch 8x10/100/1000M RJ45 (PoE), Uplink 1x1000M SFP



## Overview

LA-IS4N-G0108(P) is an industrial ethernet switch with 1x1000M optical ports & 8x10/100/1000M adaptive network ports, and provides excellent industrial-grade qualities such as high/low temperature resistance and lightning protection through fan-less heat dissipation circuit design, wide range of working environment temperature, high protection level and other technologies, enhancing the reliability and security of industrial networks. It can also meet the deployment requirements in rail transit, safe cities, intelligent transportation, outdoor monitoring and other harsh environments.

## Features

- Input voltage: DC12-58V(non-PoE), DC48-58V(PoE)
- Operating temperature: -40°C~ +75°C
- Casing: IP40 protection level, fan-less design

- Anti-static: 8KV-15KV
- MTBF: 100,000 hours

## Specifications

Provider Mode Ports	
Fixed Port	8x10/100/1000M RJ45, Uplink 1x1000M SFP
Power Interface	Phoenix Terminal, Dual Power Supply Redundancy
LED Indicators	PWR, Link/ACT LED
Cable Type & Transmission Distance	
Twisted-pair	0-100m(CAT5e, CAT6)
Single-mode Optical Fiber	20/40/60/80/100KM
Multimode Optical Fiber	550m
Network Topology	
Ring Topology	Not Support
Star Topology	Support
Bus Topology	Support
Tree Topology	Support
Electrical Specifications	
Input Voltage	DC12-58V(non-PoE), DC48-58V(PoE)
Total Power Consumption	<5w(non-PoE), <245w (PoE)
PoE Support (Optional)	
PoE Ports	1-8
PoE Standard	802.3af, 802.3at
Pin Assignment	1, 2, 3, 6
Layer 2 Switching	
Switching Capacity	20G
Packet Forwarding Rate	14.88Mpps
MAC Address Table	16K
Buffer	2M
Forwarding Delay	<5us
MDX/MIDX	Support

Jumbo Frame Support 10KBytes

**Environment**

Operating Temperature -40°C~+75°C

Storage Temperature -40°C~+85°C

Relative Humidity 10%~90% non-condensing

Thermal Methods Fan-less Design, Natural Cooling

MTBF 100,000 hours

**Mechanical Dimensions**

Product Size 46x106x143mm

Installation Method Din-rail

Weight 0.55KG

**EMC & Ingress Protection**

IP Level IP40

Surge Protection of Power IEC 61000-4-5 Level 3 (4KV/2KV) (8/20us)

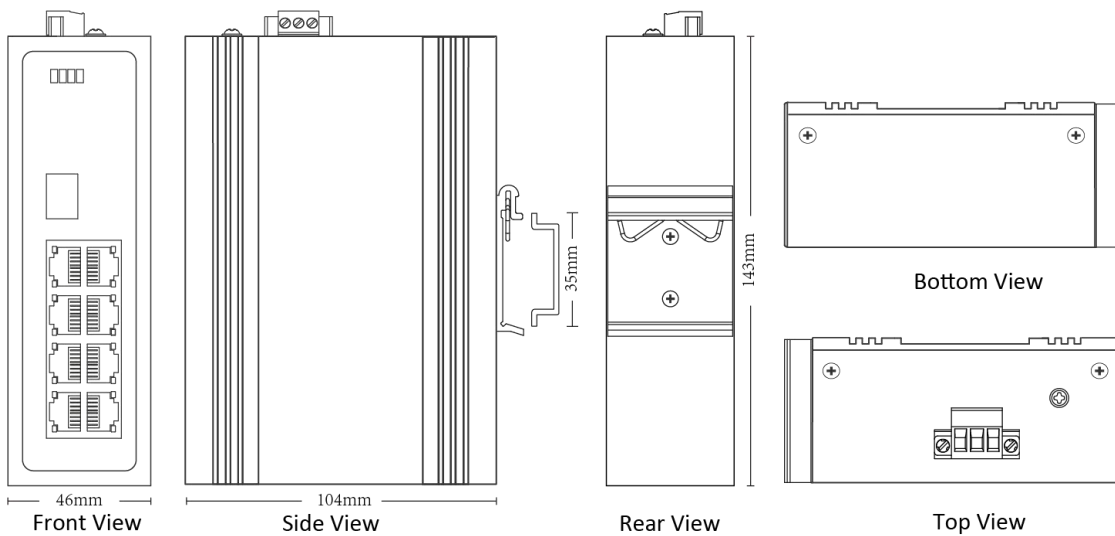
Surge Protection of ETH Port IEC 61000-4-5 Level 3 (4KV/2KV) (10/700us)

ESD IEC 61000-4-2 Level 4 (8K/15K)

**Certification**

Certificates CE, FCC, RoHS

**Dimension**



## Ordering Information

PART NO.	DESCRIPTION
LA-IS4N-G0108	Din-rail Industrial Unmanaged Switch 1x1000M SFP, 8x10/100/1000M RJ45
LA-IS4N-G0108P	Din-rail Industrial Unmanaged Switch 1x1000M SFP, 8x10/100/1000M PoE



<https://www.lanaotek.com>



Specifications & design are subject to change without prior notice.

For more details, please email to [info@lanaotek.com](mailto:info@lanaotek.com). Copyright©2024 lanaotek.com All Rights Reserved