

LA-IS7M-G0208P-Z

Industrial Managed PoE Switch 8x10/100/1000M RJ45, 2x1000M SFP



Overview

LA-IS7M-G0208P-Z is a managed industrial Ethernet switch, features 2 Gigabit optical ports and 8x10/100/1000Base-T ports. Engineered with a fan-less heat dissipation design and a wide operating temperature range, it offers exceptional industrial-grade quality, including resistance to extreme temperatures and lightning protection. The switch integrates comprehensive protocols for both switching and security and supports Ethernet Ring Protection Switching (ERPS), greatly enhancing networking flexibility as well as the reliability and security of industrial networks. It is specifically designed to meet the rigorous deployment requirements of rail transit, safe cities, intelligent transportation systems, and outdoor monitoring applications.

Features

- Input Voltage: DC48-58V
- Operating Temperature: -40°C ~ +85°C
- Shell: IP40 protection, fan-less design
- Test Report: CE, RoHS, FCC
- Anti-static: 8KV-15KV
- MTBF: 100000 Hours

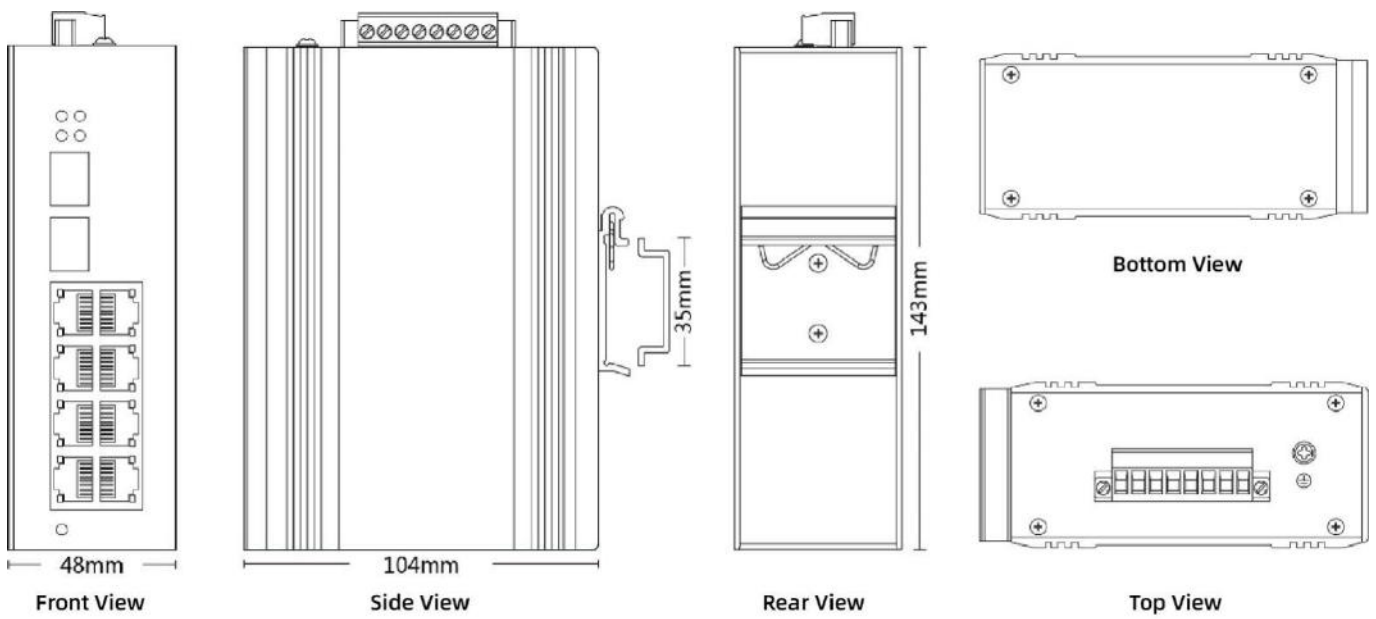
Specifications

Fixed Port	8x10/100/1000M RJ45, 2x1000m SFP
Management Port	Support console
Power Interface	Phoenix terminal, dual power redundancy
LED Indicators	PWR, Link/ACT LED
Cable Type & Transmission Distance	
Twisted-pair	0-100m (CAT5e, CAT6)
Single Mode Optical Fiber	20/40/60/80/100KM
Multimode Optical Fiber	550m
Network Topology	
Ring Topology	Support
Star Topology	Support
Bus Topology	Support
Tree Topology	Support
Hybrid Topology	Support
Electrical Specifications	
Input Voltage	PoE: DC48-58V; non-PoE: DC12-58V
Total Power Consumption	PoE <250W; non-PoE <10W
PoE Support	
PoE Port	1-8
PoE Protocol	802.3af, 802.3at
Pin Assignment	1, 2, 3, 6
PoE Management	Support
Layer 2 Switching	
Switching Capacity	36G
Packet Forwarding Rate	26.78Mpps
MAC Address Table	16K
VLAN	Support 4K
Buffer	12M
Forwarding Delay	<10us
MDX/MIDX	Support

Flow Control	Support
Jumbo Frame	10Kbytes
Spanning Tree	Support STP/RSTP/MSTP
Ring Protocol	Support ERPS
Link Aggregation	Support 12 groups
Multicast	Support IGMP Snooping
Port Mirroring	Support
Storm Control	Support
Interface Counters	Support
QINQ	Support
802.1X	Support
MAC Authentication	Support
Port Isolation	Support
Rmon	Support
NTP Client	Support
DHCP Client	Support
DHCP Snooping	Support
Ping/Tracert Detection	Support
Dying Gasp	Support
DDM	Support
Port security	Support
IP Source Guard	Support
Device Scanning	Support
Convergence	
ACL	Support ACL 500 Support IP standard ACL Support MAC expand ACL Support IP expand ACL
QoS	Support QoS re-marking, priority mapping Support SP, WRR queue scheduling Support egress rate-limited, egress rate-limit Support Policy-based QoS
Management	
CLI	Support

Console	Support
Telnet/SSH	Support
WEB Management	Support
Management IP	Support IPv4/IPv6
SNMP	Support SNMPv1/v2c/v3
User Management	Support
System Log	Support
Configuration File Download/Upload	Support
Upgrade Firmware	Support
Environment	
Operating Temperature	-40°C~+85°C
Storage Temperature	-40°C~+85°C
Relative Humidity	5%~95% (non-condensing)
Thermal Methods	Fan-less, natural cooling
MTBF	100,000 hours
Mechanical Dimensions	
Product Size (W x H x D)	48x104x143mm
Installation Method	DIN-rail
Weight	0.58KG
EMC & Ingress Protection	
IP Level	IP40
Surge Protection of Power	IEC 61000-4-5 Level 3 (4KV/2KV) (8/20us)
Surge Protection of Ethernet Port	IEC 61000-4-5 Level 3 (4KV/2KV) (10/700us)
RS	IEC 61000-4-3 Level 3 (10V/m)
EFI	IEC 61000-4-4 Level 3 (1V/2V)
CS	IEC 61000-4-6 Level 3 (10V/m)
PFMF	IEC 61000-4-8 Level4(30A/m)
DIP	IEC 61000-4-11 Level3 (10V)
ESD	IEC 61000-4-2 Level 4 (8K/15K)
Free Fall	0.5m
Certification	
Certificates	CE/FCC/RoHS

Dimension



Ordering Information

P/N	Description
LA-IS7M-G0208P-Z	Industrial Managed PoE Switch 8x10/100/1000M RJ45, 2x1000M SFP



<https://www.lanaotek.com>



Specifications & design are subject to change without prior notice.

For more details, please email to info@lanaotek.com. Copyright©2024 lanaotek.com All Rights Reserved