

LA-IS6N-F0008P-DZ

Industrial Din-rail Unmanged Booster PoE Switch 8x10/100Base-T



Overview

LA-IS6N-F0008P-DZ is a 8-port 10/100Base-TX unmanaged industrial Ethernet switch with POE support. Designed with fan-less heat dissipation, a wide operating temperature range, and a high protection rating, it offers exceptional industrial-grade features like high/low temperature resistance and lightning protection. These attributes enhance the reliability and security of industrial networks, making it ideal for deployment in challenging environments such as rail transit, safe cities, intelligent transportation, and outdoor monitoring.

Features

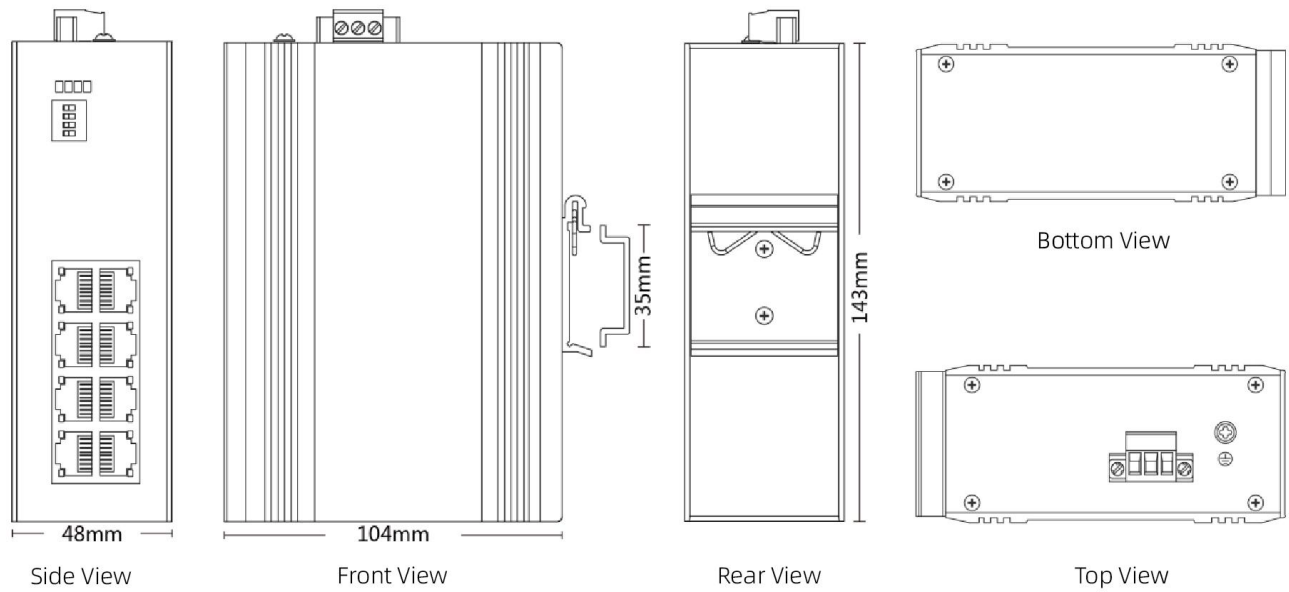
- Input Voltage: DC24-36V (PoE)
- Operating Temperature: -30°C ~ +70°C
- Shell: IP40 protection, fan-less design
- Test Report: CE, RoHS, FCC
- Anti-static: 8KV-15KV
- MTBF: 100000 Hours

Specifications

Provider Mode Ports	
Fixed Port	8x10/100Base-Tx
Power Interface	Phoenix terminal, dual power supply redundant
Led Indicators	PWR, OPT, NMC, ALM
Cable Type & Transmission Distance	
Twisted-Pair	0-100m (CAT5e, CAT6)
Network Topology	
Ring Topology	Not support
Star Topology	Support
Bus Topology	Support
Tree Topology	Support
Electrical Specifications	
Input Voltage	DC24-36V(PoE)
Total Power Consumption	Full Load<90w(PoE)
PoE Support	
PoE Port	1-8
PoE Protocol	802.3af, 802.3at
Pin Assignment	1, 2+/3, 6-
Layer 2 Switching	
Switching Capacity	1.8G
Packet Forwarding Rate	1.33Mpps
MAC Address Table	2K
Buffer	512K
Forwarding Delay	<4us
MDX/MIDX	Support
Flow control	Support
Jumbo Frame	Support 2048 bytes
Watchdog	Support
Environment	
Operating Temperature	-30°C~+70°C

Storage Temperature	-40°C~+85°C
Relative Humidity	5%~95% (non-condensing)
Thermal Methods	Fan-less, natural cooling
MTBF	100,000 hours
Mechanical Dimensions	
Product Size (W×H×D)	48x104x143mm
Installation Method	Din-rail
Weight	0.45KG
EMC & Ingress Protection	
IP Level	IP40
Surge Protection of Power	IEC 61000-4-5 Level X (4KV/2KV) (8/20us)
Surge Protection of Ethernet Port	IEC 61000-4-5 Level 4(4KV/2KV) (10/700us)
RS	IEC 61000-4-3 Level 3 (10V/m)
EFI	IEC 61000-4-4 Level 3 (1V/2V)
CS	IEC 61000-4-6 Level 3 (10V/m)
PFMF	IEC 61000-4-8 Level 4 (30A/m)
DIP	IEC 61000-4-11 Level 3 (10V)
ESD	IEC 61000-4-2 Level 4 (8K/15K)
Free Fall	0.5m
Certificate	
Certificates	CE/FCC/RoHS

Dimension



Ordering Information

PART NO.	DESCRIPTION
LA-IS6N-F0008P-DZ	Industrial Din-rail Unmanaged PoE Switch 8x10/100Base-T DC24-36V



<https://www.lanaotek.com>



Specifications & design are subject to change without prior notice.

For more details, please email to info@lanaotek.com. Copyright©2024 lanaotek.com All Rights Reserved