

LA-IS7M-FFG040416(P)-Z

Industrial Managed (PoE) Switch 16x10/100M Base-TX RJ45

4x1000M Base-X, 4x100M Base-FX



Overview

LA-IS7M-FFG040416(P)-Z is Industrial Managed Ethernet Switch support 4x1000M Base-X, 4x100M Base-FX, 16x10/100Base-T, support 802.3af/at PoE/PoE+, with fan-less cooling circuit design, wide range working environment temperature, high protection level, lightning protection, integrated switching, safety and various rich protocols. The multi ring protection technology (ERPS) has greatly enhanced the flexibility of the network and enhanced the reliability and security of the industrial network. It can meet the deployment requirements of rail transit, safe city, intelligent transportation, outdoor monitoring and other harsh environments.

Features

- Input Voltage: DC12-58V(non-PoE), DC48-58V(PoE)
- Operating Temperature: -40°C~+75°C(non-PoE), -40°C~+70°C(PoE)
- Shell: IP40 protection, fan-less design
- Anti-static: 8KV-15KV

Specifications

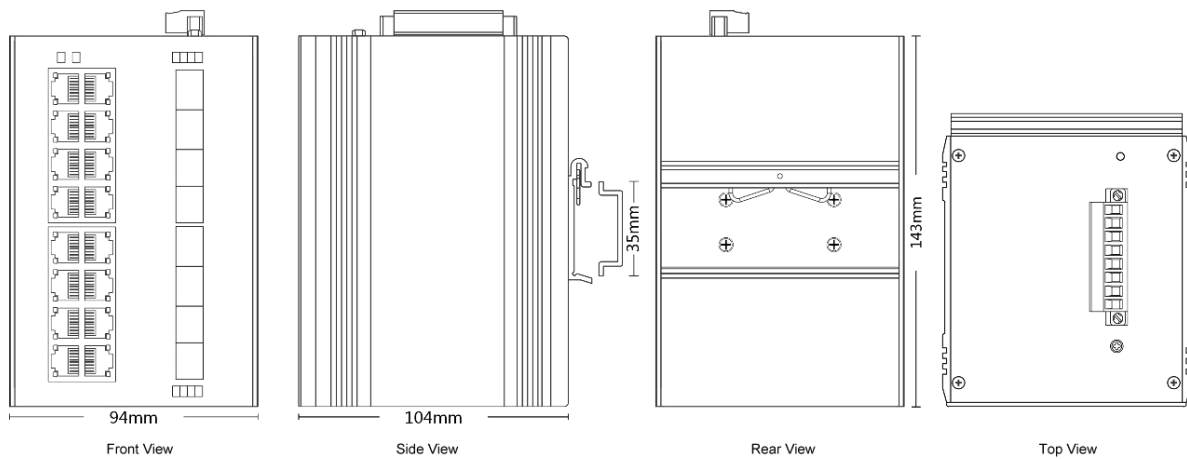
| | |
|---|---|
| Fixed Port | 16x10/100M Base-TX RJ45, 4x1000M Base-X, 4x100M Base-FX |
| Management Port | Support console |
| Power Interface | Phoenix terminal, redundant dual power supply |
| LED Indicators | PWR, Link/ACT LED |
| Cable Type & Transmission Distance | |
| Twisted-pair | 0-100m (CAT5e, CAT6) |
| Single Mode Optical Fiber | 20/40/60/80/100KM |
| Multimode Optical Fiber | 550m |
| Network Topology | |
| Ring Topology | Support |
| Star Topology | Support |
| Bus Topology | Support |
| Tree Topology | Support |
| Hybrid Topology | Support |
| Electrical Specifications | |
| Input Voltage | DC12-58V(non-PoE)/DC48-58V(PoE) |
| Total Power Consumption | <26W(non-PoE), <386W(PoE) |
| PoE Optional | |
| PoE Port | 1-16 |
| PoE Protocol | 802.3af, 802.3at |
| Pin Assignment | 1,2,3,6 |
| PoE Management | Support |
| Layer 2 Switching | |
| Switching Capacity | 68G |
| Packet Forwarding Rate | 50.59Mpps |

| | |
|------------------------|---|
| MAC Address Table | 16K |
| VLAN | Support 4K |
| Buffer | 12M |
| Forwarding Delay | <10us |
| MDX/MIDX | Support |
| Flow Control | Support |
| Jumbo Frame | Support 10Kbytes |
| Spanning Tree | Support STP/RSTP/MSTP |
| Ring Protocol | Support ERPS |
| Link Aggregation | Support 12 group |
| Multicast | Support IGMP Snooping |
| Port Mirroring | Support |
| Storm Control | Support |
| Interface Counters | Support |
| QINQ | Support |
| 802.1X | Support |
| MAC Authentication | Support |
| Port Isolation | Support |
| Rmon | Support |
| NTP Client | Support |
| DHCP Client | Support |
| DHCP Snooping | Support |
| PING/Tracert Detection | Support |
| Dying Gasp | Support |
| DDM | Support |
| Port Security | Support |
| IP Source Guard | Support |
| Device Scan | Support |
| Convergence | |
| ACL | Support ACL 500 Support IP standard ACL Support MAC expand ACL Support IP expand ACL |

| | |
|-------------------------------------|--|
| QOS | Support QoS re-marking, priority mapping Support SP, WRR queue scheduling Support egress rate-limited, egress rate-limit Support Policy-based QoS |
| Management | |
| CLI | Support |
| Console | Support |
| Telnet/SSH | Support |
| WEB Management | Support |
| Management IP | Support IPV4/IPV6 |
| SNMP | Support SNMPv1/v2c/v3 |
| User Management | Support |
| System Log | Support |
| Configuration File Download/Upload | Support |
| Upgrade Firmware | Support |
| Environment | |
| Operating Temperature | -40°C~+75°C(non-PoE), -40°C~+70°C(PoE) |
| Storage Temperature | -40°C~+85°C |
| Relative Humidity | 5%~95% (non-condensing) |
| Thermal Methods | Fan-less design |
| MTBF | 100,000 hours |
| Mechanical Dimensions | |
| Product Size | 94*104*143mm |
| Installation Method | DIN-rail |
| Weight | 1KG |
| EMC & Ingress Protection | |
| IP Level | IP40 |
| Surge Protection of Power | IEC 61000-4-5 Level X(6KV/6KV) (8/20us) |
| Surge Protection of Ethernet Port | IEC 61000-4-5 Level 4(4KV/4KV) (10/700us) |
| RS | IEC 61000-4-3 Level 3(10V/m) |
| EFI | IEC 61000-4-4 Level 3(1V/2V) |
| CS | IEC 61000-4-6 Level 3(10V/m) |
| PFMF | IEC 61000-4-8 Level 4(30A/m) |

| | |
|----------------------|-------------------------------|
| DIP | IEC 61000-4-11 Level 3(10V) |
| ESD | IEC 61000-4-2 Level 4(8K/15K) |
| Free Fall | 0.5m |
| Certification | |
| Certificates | CE/FCC/RoHS |

Dimension



Ordering Information

| PART NO | DESCRIPTION |
|----------------------|--|
| LA-IS7M-FFG040416-Z | Industrial Managed Ethernet Switch 16x10/100M Base-TX RJ45, 4x1000M Base-X, 4x100M Base-FX |
| LA-IS7M-FFG040416P-Z | Industrial Managed PoE Ethernet Switch 16x10/100M Base-TX RJ45(PoE), 4x1000M Base-X, 4x100M Base-FX |



<https://www.lanaotek.com>



Specifications & design are subject to change without prior notice.

For more details, please email to info@lanaotek.com. Copyright©2024 lanaotek.com All Rights Reserved