

LA-IS6N-G0005(P)

Industrial Ethernet Switch 5x10/100/1000M RJ45 (PoE)



Overview

LA-IS6N-G0005 is 5x10/100/1000Base-T unmanaged industrial ethernet switches. Through fan-less cooling circuit design, wide range of working environment temperature, high protection level and other technologies, it provides excellent performance such as high/low temperature resistance and lightning protection. Industrial-grade quality; greatly improves networking flexibility and enhances the reliability and security of industrial networks. It can better meet the deployment requirements in rail transit, safe cities, intelligent transportation, outdoor monitoring and other harsh environments.

Features

- Input voltage: DC12-58V(non-PoE), DC48-58V(PoE)
- Operating temperature: -40°C ~ +75°C
- Casing: IP40 protection level, fan-less design
- Anti-static: 8KV-15KV
- MTBF: 100,000hours

Specifications

Provider Mode Ports

Fixed Port	5x10/100/1000M RJ45
Power Interface	Phoenix Terminal, Dual Power Supply Redundancy
LED Indicators	PWR, OPT, NMC, ALM

Dialing Instructions (non-PoE)

1 I/R	Port Isolation
2 VLAN	VLAN Isolation
3 Q/I	QoS
4 F/P	VIP power supply and QoS

Dialing Instructions (PoE)

1 I/R	PoE Watchdog
2 VLAN	VLAN Isolation
3 Q/I	Port Isolation
4 F/P	VIP Power Supply and QoS

Cable Type & Transmission Distance

Twisted-pair	0-100m (CAT5e, CAT6)
--------------	----------------------

Network Topology

Ring Topology	Not Support
Star Topology	Support
Bus Topology	Support
Tree Topology	Support

Electrical Specifications

Input Voltage	DC12-58V(non-PoE), DC48-58V(PoE)
Total Power Consumption	<6W(non-PoE), <126W(PoE)

PoE Support

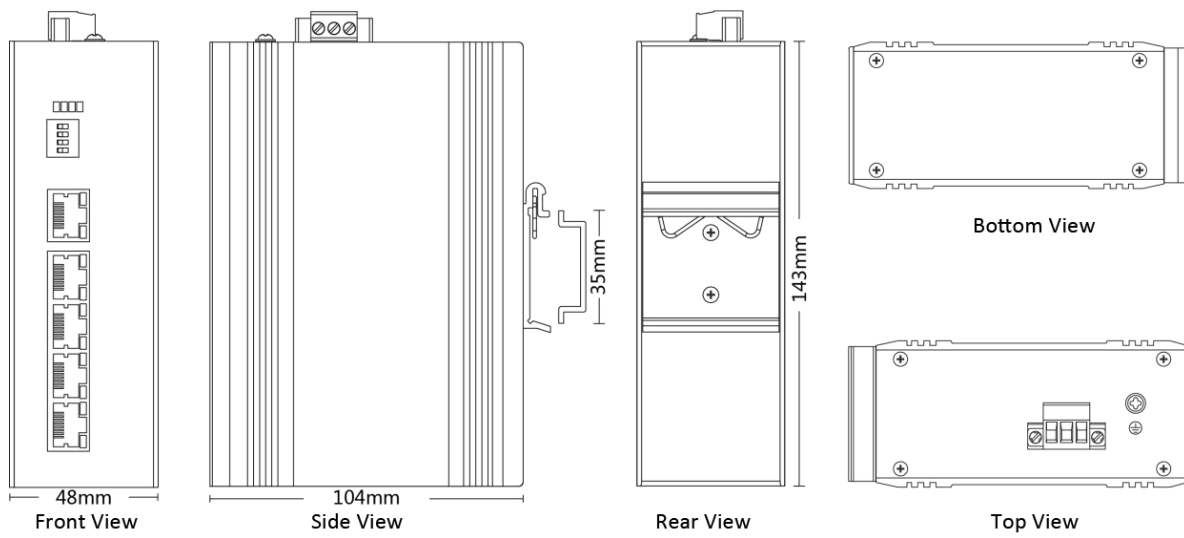
PoE Ports	1-4
Pin Assignment	1, 2, 3, 6
PoE Standard	802.3af, 802.3at

Layer 2 Switching

Switching Capacity	10G
--------------------	-----

Packet Forwarding Rate	7.44Mbps
MAC Address Table	8K
Buffer	1M
Forwarding Delay	<5us
MDX/MIDX	Support
Flow Control	Support
Jumbo Frame	Support 10Kbytes
PoE Watchdog	Support
Port Isolation	Support
Environment	
Operating Temperature	-40°C~+75°C
Storage Temperature	-40°C~+85°C
Relative Humidity	5%~95% (non-condensing)
Thermal Methods	Fan-less design, Natural Cooling
MTBF	100,000hours
Mechanical Dimensions	
Product Size	48x104x143mm
Installation Method	DIN-rail
Weight	0.45KG
EMC & Ingress protection	
IP Level	IP40
Surge Protection of Power	IEC 61000-4-5 Level X(6KV/6KV) (8/20us)
Surge Protection of Ethernet Port	IEC 61000-4-5 Level 4(4KV/4KV) (10/700us)
RS	IEC 61000-4-3 Level 3(10V/m)
EFI	IEC 61000-4-4 Level 3(1V/2V)
CS	IEC 61000-4-6 Level 3(10V/m)
PFMF	IEC 61000-4-8 Level 4(30A/m)
DIP	IEC 61000-4-11 Level 3(10V)
ESD	IEC 61000-4-2 Level 4(8K/15K)
Free Fall	0.5m
Certification	
Certificates	CE, FCC, RoHS

Dimension



Ordering Information

PART NO.	DESCRIPTION
LA-IS6N-G0005	Din-rail Industrial Unmanaged Ethernet Switch 5x10/100/1000M RJ45
LA-IS6N-G0005P	Din-rail Industrial Unmanaged Ethernet Switch 5x10/100/1000M PoE



<https://www.lanaotek.com>



Specifications & design are subject to change without prior notice.

For more details, please email to info@lanaotek.com. Copyright©2024 lanaotek.com All Rights Reserved