

LA-IS4N-G0108(P)

Industrial Ethernet Switch 8x10/100/1000M RJ45 (PoE), Uplink 1x1000M SFP



Overview

LA-IS4N-G0108(P) is an industrial ethernet switch with 1x1000M optical ports & 8x10/100/1000M adaptive network ports, and provides excellent industrial-grade qualities such as high/low temperature resistance and lightning protection through fan-less heat dissipation circuit design, wide range of working environment temperature, high protection level and other technologies, enhancing the reliability and security of industrial networks. It can also meet the deployment requirements in rail transit, safe cities, intelligent transportation, outdoor monitoring and other harsh environments.

Features

- Input voltage: DC12-58V(non-PoE), DC48-58V(PoE)
- Operating temperature: -40°C~ +75°C
- Casing: IP40 protection level, fan-less design

- Anti-static: 8KV-15KV
- MTBF: 100,000 hours

Specifications

| Provider Mode Ports | |
|------------------------------------|--|
| Fixed Port | 8x10/100/1000M RJ45, Uplink 1x1000M SFP |
| Power Interface | Phoenix Terminal, Dual Power Supply Redundancy |
| LED Indicators | PWR, Link/ACT LED |
| Cable Type & Transmission Distance | |
| Twisted-pair | 0-100m(CAT5e, CAT6) |
| Single-mode Optical Fiber | 20/40/60/80/100KM |
| Multimode Optical Fiber | 550m |
| Network Topology | |
| Ring Topology | Not Support |
| Star Topology | Support |
| Bus Topology | Support |
| Tree Topology | Support |
| Electrical Specifications | |
| Input Voltage | DC12-58V(non-PoE), DC48-58V(PoE) |
| Total Power Consumption | <5w(non-PoE), <245w (PoE) |
| PoE Support (Optional) | |
| PoE Ports | 1-8 |
| PoE Standard | 802.3af, 802.3at |
| Pin Assignment | 1, 2, 3, 6 |
| Layer 2 Switching | |
| Switching Capacity | 20G |
| Packet Forwarding Rate | 14.88Mpps |
| MAC Address Table | 16K |
| Buffer | 2M |
| Forwarding Delay | <5us |
| MDX/MIDX | Support |

Jumbo Frame Support 10KBytes

Environment

Operating Temperature -40°C~+75°C

Storage Temperature -40°C~+85°C

Relative Humidity 10%~90% non-condensing

Thermal Methods Fan-less Design, Natural Cooling

MTBF 100,000 hours

Mechanical Dimensions

Product Size 46x106x143mm

Installation Method Din-rail

Weight 0.55KG

EMC & Ingress Protection

IP Level IP40

Surge Protection of Power IEC 61000-4-5 Level 3 (4KV/2KV) (8/20us)

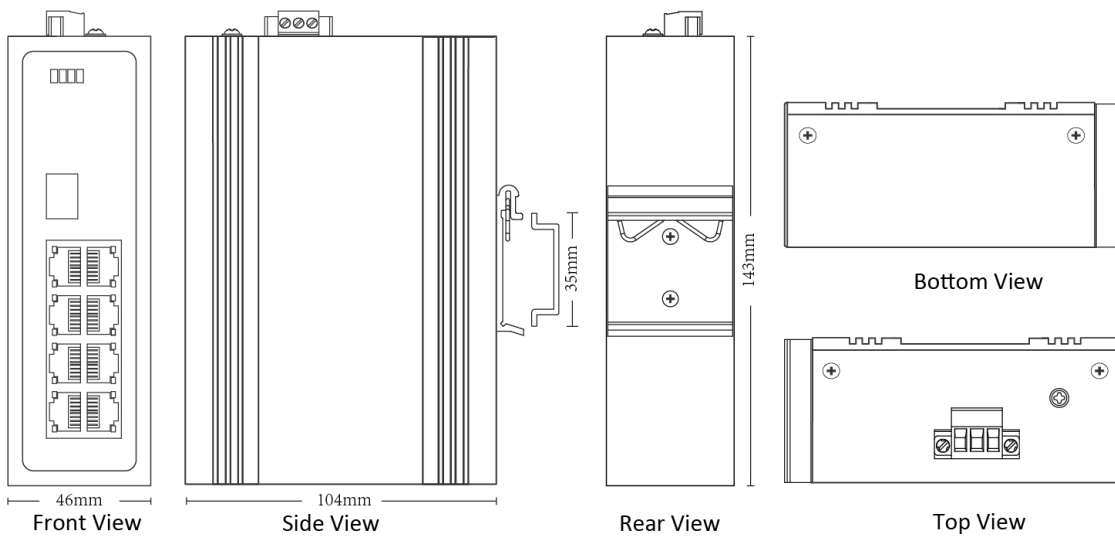
Surge Protection of ETH Port IEC 61000-4-5 Level 3 (4KV/2KV) (10/700us)

ESD IEC 61000-4-2 Level 4 (8K/15K)

Certification

Certificates CE, FCC, RoHS

Dimension



Ordering Information

| PART NO. | DESCRIPTION |
|----------------|---|
| LA-IS4N-G0108 | Din-rail Industrial Unmanaged Switch 1x1000M SFP, 8x10/100/1000M RJ45 |
| LA-IS4N-G0108P | Din-rail Industrial Unmanaged Switch 1x1000M SFP, 8x10/100/1000M PoE |



<https://www.lanaotek.com>



Specifications & design are subject to change without prior notice.

For more details, please email to info@lanaotek.com. Copyright©2024 lanaotek.com All Rights Reserved