

# LA-IPOE60-10GT-Y

Industrial Single Port 10/100/1000Mbps/2.5/5G/10G PoE Injector 60w



## Overview

LA-IPOE60-10GT-Y is a hardened 10G PoE injector designed to connect IEEE802.3 af/at PoE devices, such as cameras and access points, to a non-PoE LAN switch over distances up to 100 meters. Both the Ethernet port (to the switch) and the PoE Out port (to the PoE device) support 10/100/1000Mbps/2.5G/5G/10GBase-T and comply with IEEE 802.3ab standards. Additionally, the PoE Out port is compliant with IEEE802.3 at.

## Features

- DC12-48V Power Input
- 1 RJ45 Ethernet Data Input Port + 1 RJ45 Power Over Ethernet Output Port (Data + Power)
- Support IEEE802.3at Power over Ethernet (PoE+) Power Sourcing Equipment
- Support 10/100/1000Mbps/2.5G/5G/10G Base-TX
- Extensive LED indicators for PoE diagnostics
- Environmentally Hardened -40°C to 80°C (-40°F to 176°F) operating temperature
- Small Size 95x70x30mm
- Aluminum Alloy Metal Case
- Support DIN-rail mounting and wall mounting installation

## Specifications

### Ethernet

Standards	IEEE802.3af/at Power over Ethernet
Processing Type	Forward, Half-duplex, Full-duplex
Forward Filter Rate	14,880,000pps (10Gbps)
Cabling	10/100/1000Mbps/2.5G/5G/10GBase-T: Cat7 or above
Maximum Distance	Cat7 UTP up to 30m
Connector	2xRJ45

### Environmental

Operating Temperature	-40°C to 80°C (-40°F to 176°F)
Storage Temperature	-40°C to 85°C (-40°F to 185°F)
Relative Humidity	5% to 95% non-condensing
MTBF	>200,000hrs

### Electrical and Mechanical

Input Power	DC12-48V (Terminal Block)
Power Consumption	Max. 65W

### PoE (Power over Ethernet)

Standard	IEEE802.3af/at
Port	RJ45
Power Pin Assignment	4/5(+), 7/8(-)
Max. Power per Port	Max. 60W (Alternative B Mode)

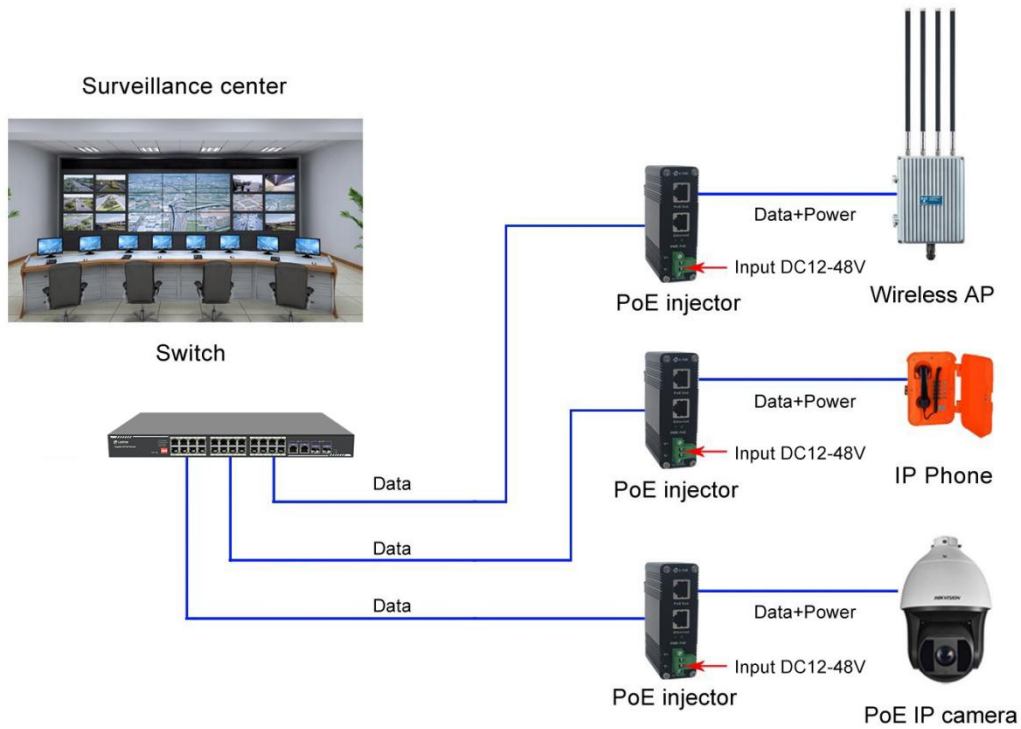
### LED Indicators

Power	Power Status
PoE	PoE Status
Dimensions (W x D x H)	95x70x30mm
Weight	0.25Kg
Casing	Aluminum Case
Mounting Options	DIN-Rail / Wall-mount

### Certifications

Certificates	CE, FCC, ROHS
Surge Protection	RJ45: 1KV; Power: 500V; ESD: 4KV/8KV

## Application



Wireless AP



CCTV Security Transmission




IP Phone

## Ordering Information

PART NO	DESCRIPTION
LA-IPOE60-10GT-Y	Industrial Single Port 10/100/1000Mbps/2.5G/5G/10GBase-T PoE Injector 60w DC12-48V Power Input Default DIN-Rail Bracket installed; Wall Mount Bracket is included.



<https://www.lanaotek.com> 

Specifications & design are subject to change without prior notice.

For more details, please email to [info@lanaotek.com](mailto:info@lanaotek.com). Copyright©2024 lanaotek.com All Rights Reserved.