

LA-IS6N-G0208P-Box

IP55 Outdoor Box, with 2*1000 Base-X, 8*10/100/1000 Base-T PoE Switch



Overview

LA-IS6N-G0208P-Box Outdoor PoE Switch Box embedded with 2*1000Base-X, 8*10/100/1000Base-T Industrial PoE Switch, it is miniature size with IP55 high protection level. The box provides excellent industrial quality with high/low temperature resistance and lightning protection, which enhances the reliability and safety of networks.

It can meet the deployment requirements of rail transit, safe city, intelligent transportation, video surveillance and other applications.

Features

- Integrated Industrial PoE Switch, 2*1000Base-X, 8*10/100/1000Base-T
- Shell: IP55 Waterproof Case
- Cooling: Auto Fans Cooling
- Working Temp: -40°C~+75°C
- Box Internal Power: 300w (for PoE Switch)
- Optical Fiber Tray
- Surge Protector
- Air Breaker

Specifications

Cabinet	
Size	220x230x387mm
Material	High-quality galvanized sheet, thickness 1.2mm Box mounting ears thickness 1.5mm
Weight	Net weight: 7.25KG, Gross weight: 8.2KG
Lock	Triangle lock
Door	The door has built-in waterproof rubber strips and built-in reinforcing ribs
Bottom Part	The diameter of the cable entry hole at the bottom of the box is 50mm, and there is air inlet hole at bottom of the box (Insert-proof net welded inside)
Fan	AC 220V with temperature control, 3000 ± 10% RFM, air volume 90CFM, 92*92*25mm, line length 300mm
Optical Fiber	4-port SC fiber flange, with 8-core fiber box
Air Breaker	It has short-circuit protection, overload protection and isolation functions and has thermal-magnetic tripping characteristics C-shaped curve(5In-10In)
Installation	Pole / Wall installation
Switch	
Fixed Port	2*1000 Base-X, 8*10/100/1000 Base-T
LED Indicators	PWR, OPT, NMC, ALM
Power Interface	AC Input
DIP Switch	

1	PoE Watchdog
2	Extension 250m
3	Port Isolation
4	VIP Power Supply + QOS
Cable Type & Transmission Distance	
Twisted-pair	0-100m(CAT5e,CAT6)
Single-mode optical fiber	20/40/60/80/100KM
Multimode optical fiber	550m
Network Topology	
Star Topology	Support
Bus Topology	Support
Tree Topology	Support
Hybrid Topology	Support
Electrical Specifications	
Input Voltage	AC100-240V, 50/60Hz
Total Power Consumption	< 246w (with PoE)
Voltage Alarm	Support
PoE Support	
PoE Ports	1-8 Ports
Pin Assignment	1, 2, 3, 6
PoE Standard	802.3af, 802.3at (15w/30w)
Layer 2 Switching	
Switching Capacity	26G
Packet Forwarding Rate	19.34Mpps
MAC Address Table	16K
Buffer	2M
Forwarding Delay	<5us
MDX/MIDX	Support
Jumbo Frame	Support 10KBytes
Watchdog	Support
Port Isolation	Support

Environment

Operating Temperature -40°C~+75°C

Storage Temperature -40°C~+85°C

Relative Humidity 5%~95% non-condensing

Thermal Methods Auto Fans Cooling

MTBF 100,000 hours

Mechanical Dimensions

Product Size 220x230x387mm

Installation Method Wall / Pole Mounting

EMC & Ingress Protection

IP Level IP55

Surge Protection of Power IEC 61000-4-5 Level X (8KV/6KV)

Surge Protection of ETH Port IEC 61000-4-5 Level X (8KV/6KV)

RS IEC 61000-4-3 Level 3 (10V/m)

EFI IEC 61000-4-4 Level 3 (1V/2V)

CS IEC 61000-4-6 Level 3 (10V/m)

PFFM IEC 61000-4-8 Level 4 (30A/m)

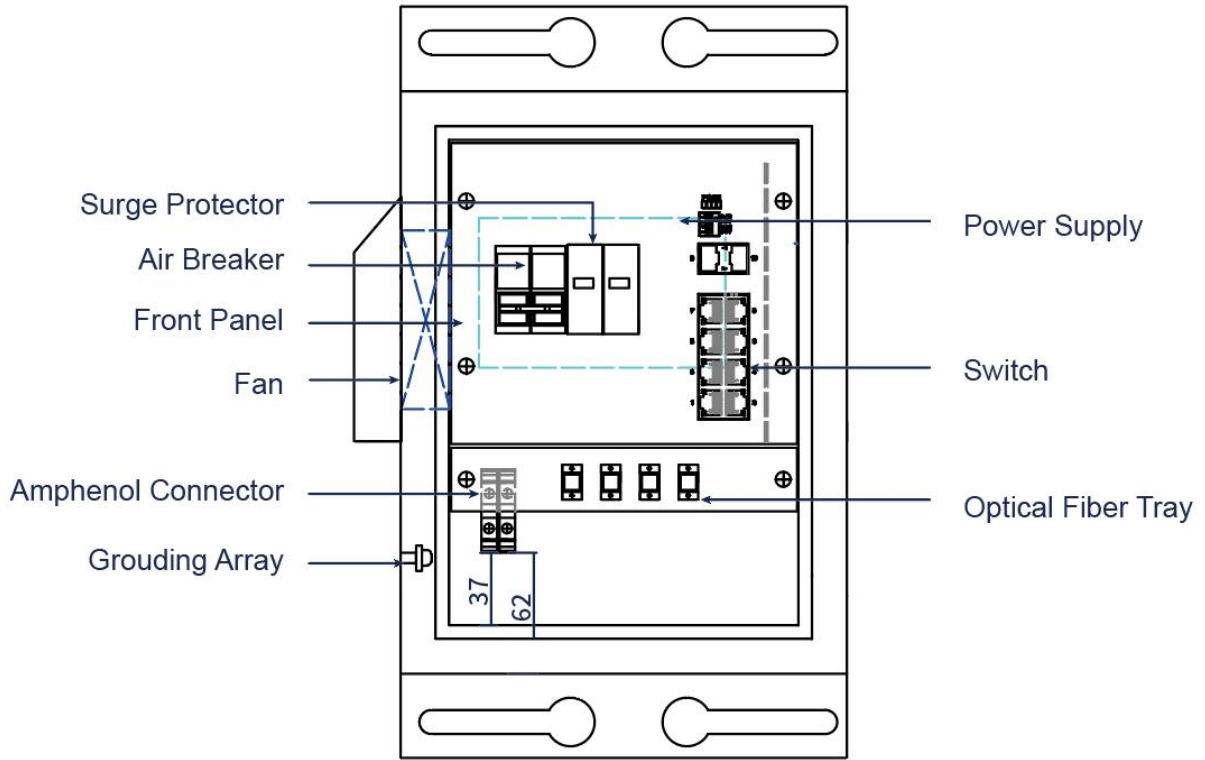
DIP IEC 61000-4-11 Level 3 (10V)

ESD IEC 61000-4-2 Level 4 (8K/15K)

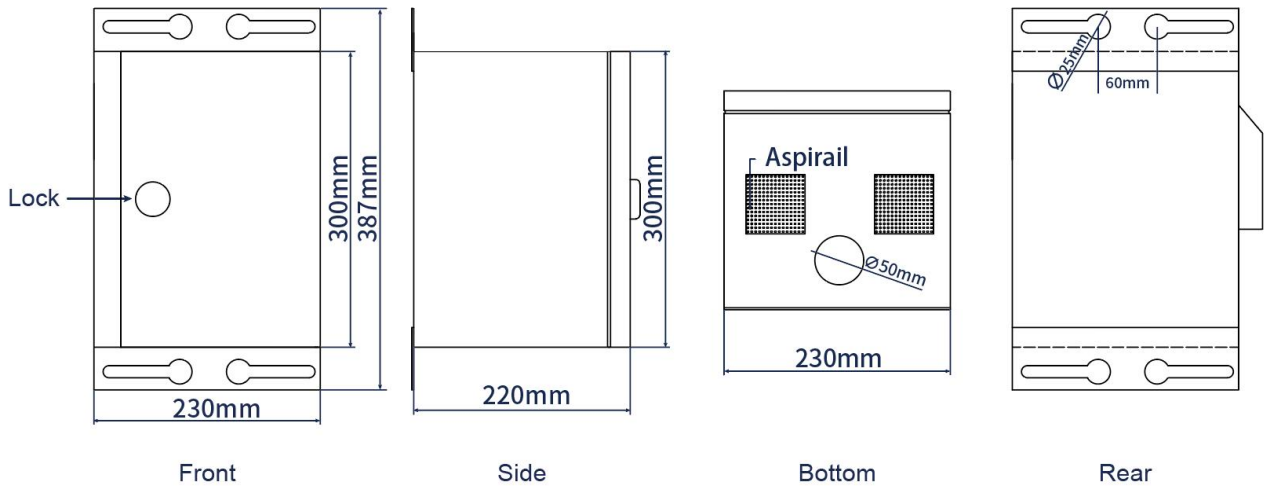
Authentication

Authentication CE, FCC, RoHS

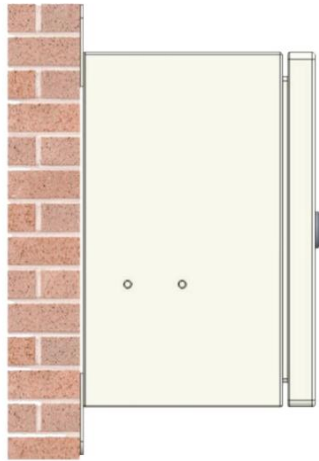
Structure



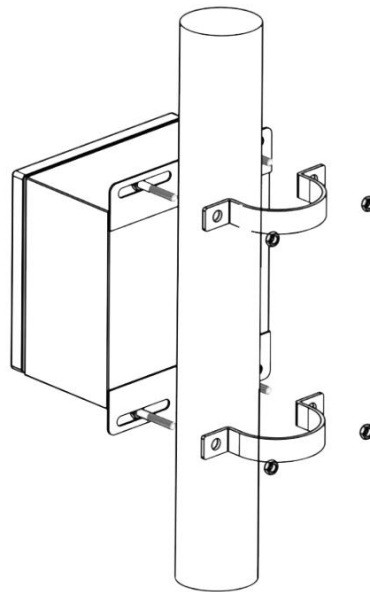
Front



Installation



Wall Mount



Pole Mounting

Ordering Information

PART NO	DESCRIPTION
LA-IS6N-G0208P-Box	IP55 Outdoor Box, with 2*1000 Base-X, 8*10/100/1000 Base-T PoE Switch
LA-IS4N-G0104P-Box	IP55 Outdoor Box, with 1*1000 Base-X, 4*10/100/1000 Base-T PoE Switch



<https://www.lanaotek.com>



Specifications & design are subject to change without prior notice.

For more details, please email to info@lanaotek.com. Copyright©2023 lanaotek.com All Rights Reserved